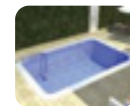
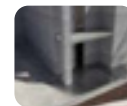


"Venezia®"



300-500



Sealand Electric Pumps South Africa

44 Agaat Str, Nirvana Industrial, Polokwane, Limpopo Province, South Africa, 0699

+27 87 150 2772 +27 86 647 3047 info@sealand.co.za www.sealand.co.za

SUBMERSIBLE DRAINING ELECTRIC PUMPS

The submersible draining pumps with open impeller of the series VENEZIA® have been developed with the most advanced and sophisticated engineering and industrial design systems. The particular form, the integrated automatic switch, the possibility to operate also if partially submerged, the total absence of screws and the particular compound polymers used, make Venezia® one of the most innovative and technological advanced pumps available on the market.

The VENEZIA® have been design to pump clear water, waste water or slightly dirty water, but not aggressive for the pump's materials. Liquid temperature not higher than 35 °C (CEI EN 60335-2-41).

The VENEZIA® may work also partially immersed.

The VENEZIA® version 300 & 500 may suck water up to 2 m.

TECHNICAL FEATURES

- Pump body, outer motor casing and base filter: Syntegum 1720
- Impeller: in Dynaril
- Bearings bracket: in die casting aluminium UNI 5076
- Motor body in stainless steel: Aisi 304
- Pump shaft: stainless steel: Aisi 420 F
- Pump's side mechanical seal: carbon-ceramics
- Motor's side seal: lip ring in NBR
- 10 m H05RN-F feeding cable
- Max. immersion 5 m

MOTOR

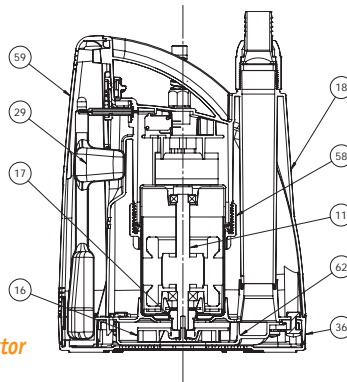
- Two poles induction rewindable motor, cooled by the pumped liquid, with protection IP 68, class F insulation.
- Single-phase feeding with incorporated motor protector and capacitor permanently connected.
- Continuous duty.



Innovation design and material international Patent

SPARE PARTS LIST

Built in non return valve
Built in float switch
Exceptional performance



- 11 Pump shaft + rotor
- 16 Impeller
- 17 Mechanical seal
- 18 Pump body
- 29 Float switch
- 36 Filter base
- 58 Motor fixing ring nut
- 59 Float switch cover
- 62 Internal diffuser

Quick cable coupling watertight connector

