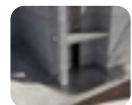


“SKUBA”



Sealand Electric Pumps South Africa

44 Agaat Str, Nirvana Industrial, Polokwane, Limpopo Province, South Africa, 0699

 +27 87 150 2772  +27 86 647 3047  info@sealand.co.za  www.sealand.co.za

SUBMERSIBLE DRAINING ELECTRIC PUMPS

The submersible electric pumps with open impeller series SKUBA have been designed to pump clear or slightly dirty liquids, without abrasives and suspended solids, non-explosive or aggressive for the pump's materials.

Liquid temperature not higher than 35 °C (CEI EN 60335-2-41).
The pumps may work also partially immersed.

TECHNICAL FEATURES

- Pump body, impeller, outer motor casing, filter base and handle: Technopolymer
- Motor body: in die casting aluminium UNI 5076
- Pump shaft and screws: in stainless steel Aisi 420 F
- Mechanical seal in carbon-ceramics
- 5 m H05RN-F feeding cable
- Max. immersion 5 m

MOTOR

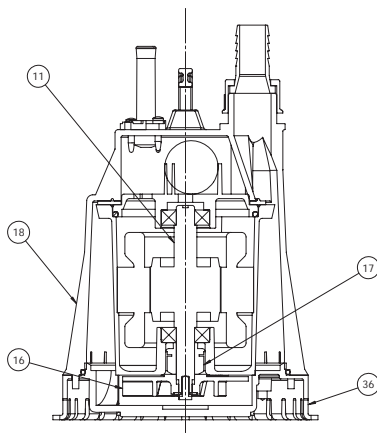
- Two poles induction rewindable motor, cooled by the pumped liquid, with protection IP 68, class F insulation.
- Single-phase feeding with incorporated motor protector and capacitor permanently connected.
- Continuous duty if completely submerged.

ON REQUEST:

- Automatic version with float switch (SKUBA Aut).



SPARE PARTS LIST

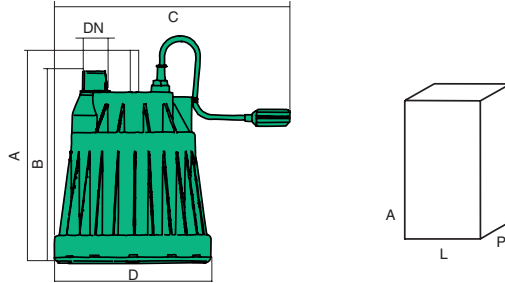


- 11 Pump shaft + rotor
- 16 Impeller
- 17 Mechanical seal
- 18 Pump body
- 36 Filter base

50 Hz

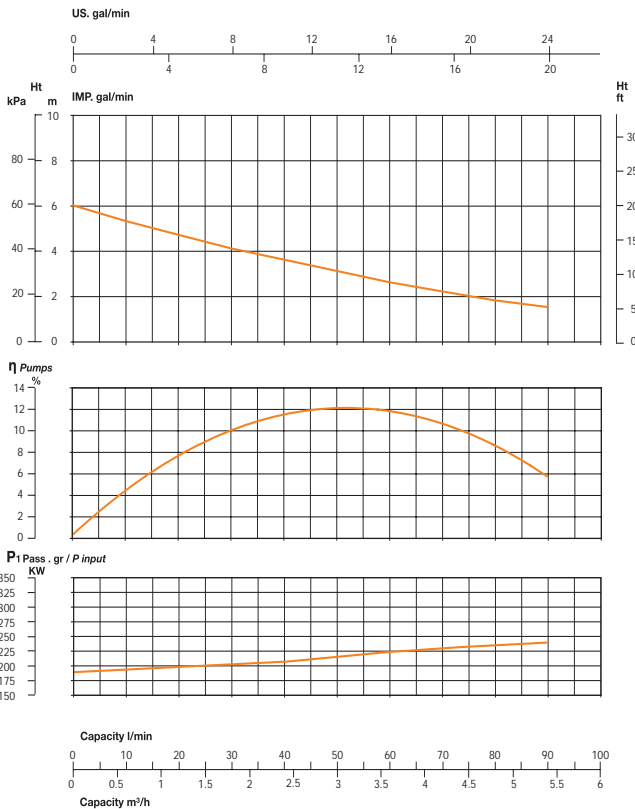
TYPE	Nominal power		Input power [W]	Capacitor 450 V max [µF]	Input current [A]	Capacity									
						Q [m³/h]	0	0.6	1.2	1.8	2.4	3	3.6	4.2	4.8
	Single-phase	kW	HP	1~ 230 V	Q [l/1']	0	10	20	30	40	50	60	70	80	90
SKUBA 35 EVO	0.26	0.35	240	6.3	1	Total head (m W.C.)									
						H [m]	6.0	5.3	4.7	4.1	3.6	3.1	2.6	2.2	1.8

a) ~ Single-phase 230 V



TYPE	DIMENSIONS [mm]					DNM	PACKING [mm]			WEIGHT [kg]
	A	B	C	D	A		L	P		
SKUBA 35	240	220	275	163	1"	275	240	185	4.1	

min⁻¹ ~ 2900



Notes
