

"MJX"



Electric pumps

Sealand Electric Pumps South Africa

44 Agaat Str, Nirvana Industrial, Polokwane, Limpopo Province, South Africa, 0699

+27 87 150 2772 +27 86 647 3047 info@sealand.co.za www.sealand.co.za

SELF-PRIMING CENTRIFUGAL STAINLESS STEEL MULTISTAGE ELECTRIC PUMPS

Extremely noiseless and reliable the centrifugal multistage self priming electric pumps series MJX have been designed to pump from wells, basins or storage tanks, clean liquids, non-explosive or aggressive for the pump's materials, without abrasives and suspended solids

- Maximum suction up to 8-9 m
- Liquid temperature not higher than 35 °C for domestic use (CEI EN 60335-2-41) or 90 °C for other use, while the ambient temperature must not be higher than 40 °C
- Flow rate up to ~ 9 m³/h
- Heads up to ~ 50 m

TECHNICAL FEATURES

- Pump body: stainless steel Aisi 304
- Motor bracket: in die casting aluminium UNI 5076
- Diffusers: Techno-polymer
- Impellers: Techno-polymer with stainless steel Aisi 304 ring
- Pump shaft: stainless steel Aisi 420F
- Mechanical seal: carbon-ceramics

MOTOR

The control motors are asynchronous, squirrel cage-type, closed, with external ventilation

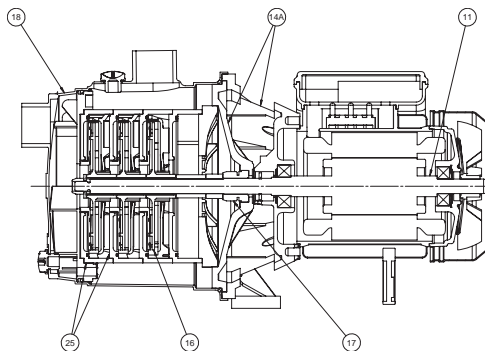
- Incorporated motor protection and capacitor always on, for single-phase models
- The motor protection for three-phase models must be installed by the customer. Equipment compliant with current standards should be used
- Class of insulation:F-service:S1-Degree of protection: IP 44
- Terminal board protection: IP 54



New generation self priming electric pumps

Extremely noiseless
Energy saving
High performance

SPARE PARTS LIST



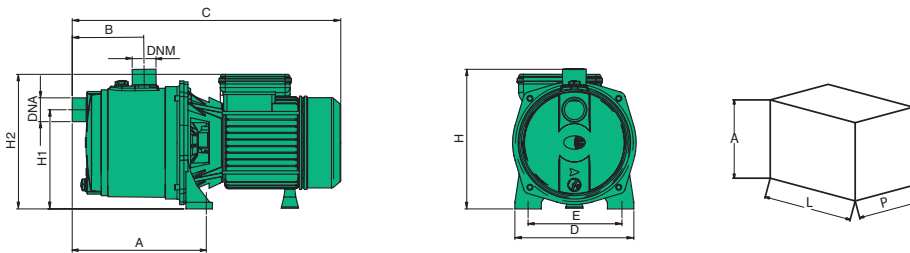
- 11 Pump shaft + rotor
- 14A Motor bracket kit
- 16 Impeller
- 17 Mechanical seal
- 18 Pump body
- 25 Diffuser

50 Hz - min⁻¹ ~ 2900

TYPE		Nominal power		Input power [W]		Capacitor 450 V max	Input current [A]			Capacity									
Single-phase	Three-phase	kW	HP	a	b	[μF]	1~230V	3~230V	3~400V	Q [m³/h]	0	2,4	3	3,6	4,8	6	8,4	9	
a	b									Q [l/s]	0	40	50	60	80	100	140	150	
MJX 63 M	-	0,37	0,5	700	-	14	3,3	-	-	H [m]	Total head (m W.C.)								
MJX 83 M	MJX 83 T	0,59	0,8	740	700	14	3,3	2,8	1,5		31,8	22,9	19,9	16,7	9,1				
MJX 103 M	MJX 103 T	0,74	1	1050	1100	20	4,7	4,7	2,5		37,5	25,8	22,4	18,9	10,8				
MJX 123 M	MJX 123 T	0,88	1,2	1325	1260	25	5,9	4,2	2,4		52,6	37,9	33,5	28,7	18,4				
MJX 86 M	-	0,59	0,8	980	-	16	4	-	-		70,6	51,1	44,1	36,4	20,2				
MJX 106 M	MJX 106 T	0,74	1,0	1160	1160	20	5,1	3,8	2,1		34,1	29,3	27,7	26,0	22,0	17,3	5,9	2,6	
MJX 126 M	MJX 126 T	0,88	1,2	1440	1470	25	6,2	5,1	2,5		43,0	36,2	34,1	31,9	27,0	21,5	8,7	5,1	
											52,1	43,7	41,2	38,4	32,2	25,2	8,9	4,3	

a) ~ Single-phase 230 V

b) ~ Three-phase 230/400 V



TIPO TYPE	DIMENSIONS [mm]											PACKING [mm]			WEIGHT [kg]
	A	B	C	D	E	F	H	H1	H2	DNA	DNM	A	L	P	
MJX 63	210	118	400	180	140	187	204	155	200	1"	1"	250	450	190	8,2
MJX 83	210	118	400	180	140	187	204	155	200	1"	1"	250	450	190	9
MJX 103	225	135	435	180	140	187	204	155	200	"	1"	250	450	190	10,9
MJX 123	295	182	485	180	140	187	204	155	230	1"	1"	250	450	190	12,3
MJX 86	210	118	428	180	140	187	204	155	200	1"	1"	250	450	190	10,5
MJX 106	210	118	428	180	140	187	204	155	200	1"	1"	250	450	190	11
MJX 126	225	135	435	180	140	187	204	155	230	1"	1"	250	450	190	11,9

$\text{min}^{-1} \sim 2900$

