

“KP”



Sealand Electric Pumps South Africa

44 Agaat Str, Nirvana Industrial, Polokwane, Limpopo Province, South Africa, 0699



+27 87 150 2772



+27 86 647 3047



info@sealand.co.za



www.sealand.co.za

CENTRIFUGAL ELECTRIC PUMPS ONE IMPELLER 2"

The close-coupled centrifugal electric pumps with one impeller medium flow series KP have been designed to pump clean liquids, without abrasives and suspended solids, non-explosive or aggressive for the pump's materials

- Liquid temperature not higher than 35 °C for domestic use (CEI EN 60335-2-41) or 90 °C for other use, while the ambient temperature must not be higher than 40 °C
- Flow rate up to ~ 36 m³/h
- Heads up to ~ 30 m

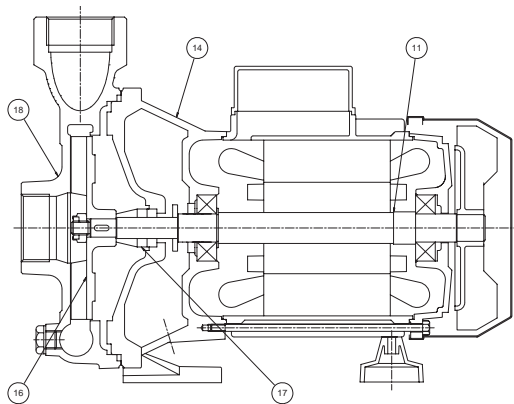
TECHNICAL FEATURES

- Pump body: cast iron G20 with anti-corrosive coating
- Motor bracket: cast iron G20 with anti-corrosive coating
- Impeller: stamped brass UNI-EN 12165 (Techno-polymer for KP 80-100-120)
- Pump shaft: stainless steel Aisi 304 (Aisi 420 F for KP 80-100-120)
- Mechanical seal: carbon-ceramics

MOTOR

The control motors are asynchronous, squirrel cage-type, closed, with external ventilation

- Incorporated motor protection and capacitor always on, for single-phase models
- The motor protection for three-phase models must be installed by the customer. Equipment compliant with current standards should be used
- Class of insulation:F-service:S1-Degree of protection: IP 44
- Terminal board protection: IP 54



SPARE PARTS LIST

- 11 Pump shaft + rotor
- 14 Outlet bracket
- 16 Impeller
- 17 Mechanical seal
- 18 Pump body

50 Hz - min⁻¹ ~ 2900

TYPE		Nominal power		Input power [W]		Capacitor 450 V max	Input current [A]			Capacity					
Single-phase	Three-phase	kW	HP	a	b	[μF]	1~230V	3~230V	3~400V	Q [m ³ /h]	Q [l/s]	Total head (m W.C.)			
a	b									H [m]					
KP 80 M	KP 80 T	0,59	0,8	960	860	16	4,5	3	1,7	0	6	12	18	24	
KP 100 M	KP 100 T	0,75	1	1190	1010	18	5,4	3,5	2	0	100	200	300	400	
KP 120 M	KP 120 T	0,9	1,2	1340	1210	20	6	4	2,3	12,0	11,8	11,0	9,0	5,5	
										13,5	13,3	12,3	10,3	7,5	
										15,0	15,0	14,0	12,0	9,5	

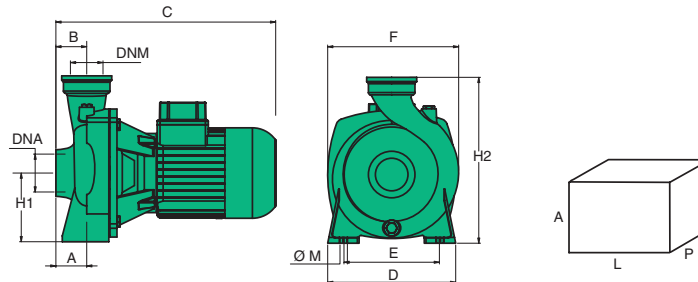
a) ~ Monofase 230 V

b) ~ Trifase 230/400 V

TYPE		nominale Nominal power		assorbita Input power [W]		Capacitor 450 V max	Input current [A]			Capacity												
Single-phase	Three-phase	kW	HP	a	b	[μF]	1~230V	3~230V	3~400V	Q [m ³ /h]	Q [l/s]	Total head (m W.C.)										
a	b									H [m]												
KP 150 M	KP 150 T	1,1	1,5	2200	2450	30	8,5	6,4	3,7	0	6	9	12	15	18	21	24	27	30,3	33	36	
KP 200 M	KP 200 T	1,47	2	2490	2300	45	11,5	7,5	4,4	0	100	150	200	250	300	350	400	450	505	550	600	
KP 300 M	KP 300 T	2,2	3	3000	3150	55	12,7	8,9	5,2	21,7	20,9	20,3	19,7	18,9	18,1	17,1	15,9	14,5	12	9,5	5,5	
										24,3	24,0	23,5	22,9	22,0	21	19,8	18,4	16,7	14,9	12,7	10,5	
										29,5	28,4	27,7	27,1	26,3	25,2	23,7	22,1	20,2	17,4	14,7	11,9	

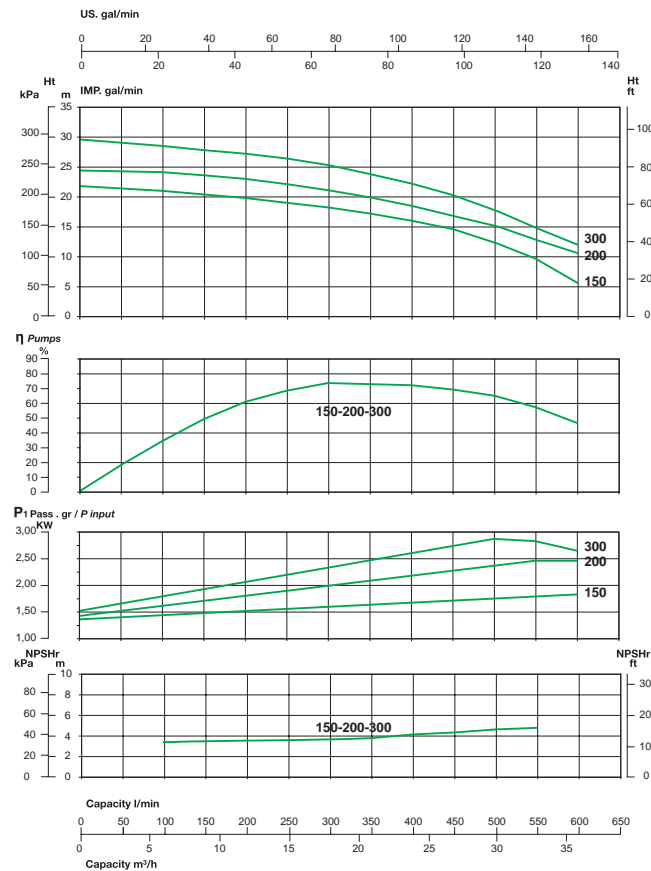
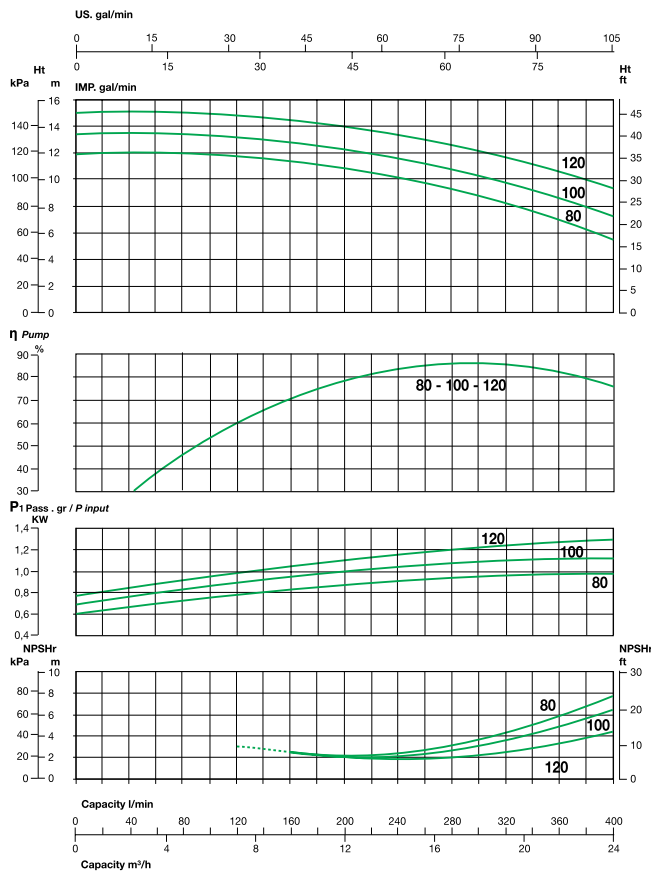
a) ~ Monofase 230 V

b) ~ Trifase 230/400 V



TIPO TYPE	DIMENSIONS [mm]										PACKING [mm]			WEIGHT [kg]	
	A	B	C	D	E	F	Ø M	H1	H2	DNA	DNM	A	L		P
KP 80	125	45	305	180	145	185	9	97	247	2" G	2" G	294	206	356	14,8
KP 100	125	45	305	180	145	185	9	97	247	2" G	2" G	294	206	356	15,3
KP 120	125	45	305	180	145	185	9	97	247	2" G	2" G	294	206	356	16
KP 150	20	53	369	224	160	228	11	118	290	2"	2"	350	430	240	26,2
KP 200	20	53	383	224	160	228	11	118	290	2"	2"	350	430	240	28
KP 300	20	53	383	224	160	228	11	118	290	2"	2"	350	430	240	27,9

min⁻¹ ~ 2900



Sealand Electric Pumps South Africa

44 Agaat Str, Nirvana Industrial, Polokwane, Limpopo Province, South Africa, 0699



+27 87 150 2772



+27 86 647 3047



info@sealand.co.za



www.sealand.co.za