

“KL”



Electric pumps

Sealand Electric Pumps South Africa

44 Agaat Str, Nirvana Industrial, Polokwane, Limpopo Province, South Africa, 0699



+27 87 150 2772



+27 86 647 3047



info@sealand.co.za



www.sealand.co.za

CENTRIFUGAL ELECTRIC PUMPS ONE IMPELLER 3"

The close-coupled centrifugal electric pumps with one impeller high

abrasives and suspended solids, non-explosive or aggressive for the pump's materials

- Liquid temperature not higher than 35 °C for domestic use (CEI EN 60335-2-41) or 90 °C for other use, while the ambient temperature must not be higher than 40 °C
- Flow rate up to ~ 72 m³/h
- Heads up to ~ 17 m

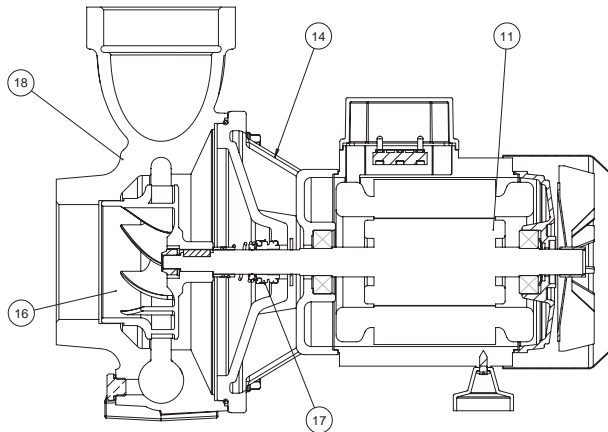
TECHNICAL FEATURES

- Pump body: cast iron G20 with anti-corrosive coating
- Motor bracket: cast iron G20 with anti-corrosive coating
- Impeller: stamped brass UNI-EN 12165
- Pump shaft: stainless steel Aisi 304
- Mechanical seal: carbon-ceramics

MOTOR

The control motors are asynchronous, squirrel cage-type, closed, with external ventilation

- Incorporated motor protection and capacitor always on, for single-phase models
- The motor protection for three-phase models must be installed by the customer. Equipment compliant with current standards should be used
- Class of insulation: F-service: S1-Degree of protection: IP 44
- Terminal board protection: IP 54



SPARE PARTS LIST

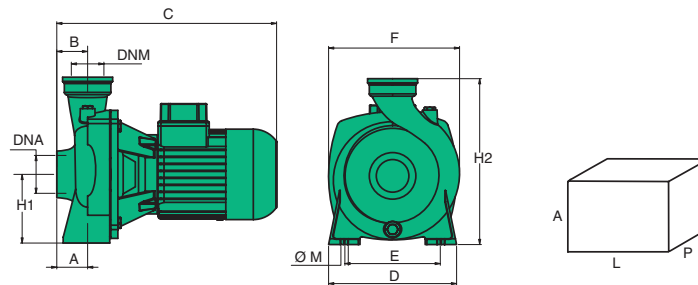
- 11 Pump shaft + rotor
- 14 Outlet bracket
- 16 Impeller
- 17 Mechanical seal
- 18 Pump body

50 Hz - min⁻¹ ~ 2900

TYPE		Nominal power		Input power [W]		Capacitor 450 V max	Input current [A]			Capacity														
Single-phase	Three-phase	kW	HP	a	b	[μF]	1~230V	3~230V	3~400V	Q [m ³ /h]	0	12	15	18	21	24	27	30	33	36	42	48	60	
a	b									Q [l/s]	0	200	250	300	350	400	450	500	550	600	700	800	1000	
KL 150 M	KL 150 T	1.1	1.5	2200	2180	30	9.2	7.3	3.8	Total head (m W.C.)														
KL 200 M	KL 200 T	1.47	2	2400	2180	45	9.8	7.9	4.1	H [m]	13,5	12,7	12,4	12,0	11,6	11,1	10,6	10	9,3	8,6	7	5,2		
KL 300 M	KL 300 T	2.2	3	2980	2920	55	13.1	9.6	4.9	H [m]	14,9	14,5	14,2	13,8	13,6	13,3	12,8	12,3	11,5	10,9	8,9	6,6		
										H [m]	17,1	16,5	16,2	15,9	15,6	15,2	14,8	14,3	13,8	13,3	12,0	10,6	7,3	

a) ~ Monofase 230 V

b) ~ Trifase 230/400 V



TYPE	DIMENSIONS [mm]										PACKING [mm]			WEIGHT [kg]	
	A	B	C	D	E	F	∅ M	H1	H2	DNA	DNM	A	L		P
KL 150	40	80	409	225	160	230	11	118	310	3"	3"	350	430	240	31.5
KL 200	40	80	421	225	160	230	11	118	310	3"	3"	350	430	240	33.2
KL 300	40	80	421	225	160	230	11	118	310	3"	3"	350	430	240	33

min⁻¹ ~ 2900

