

# “JET”



Electric pumps

Sealand Electric Pumps South Africa

44 Agaat Str, Nirvana Industrial, Polokwane, Limpopo Province, South Africa, 0699

 +27 87 150 2772  +27 86 647 3047  [info@sealand.co.za](mailto:info@sealand.co.za)  [www.sealand.co.za](http://www.sealand.co.za)

## SELF-PRIMING CENTRIFUGAL ELECTRIC PUMPS

The self-priming centrifugal electric pumps series JET have been designed to pump clean water from wells, even if mixed with gas

- Maximum suction up to 8-9 m
- Liquid temperature not higher than 35 °C for domestic use (CEI EN 60335-2-41) or 60 °C for other use, while the ambient temperature must not be higher than 40 °C
- Flow rate up to ~ 9.5 m<sup>3</sup>/h
- Heads up to ~ 60 m

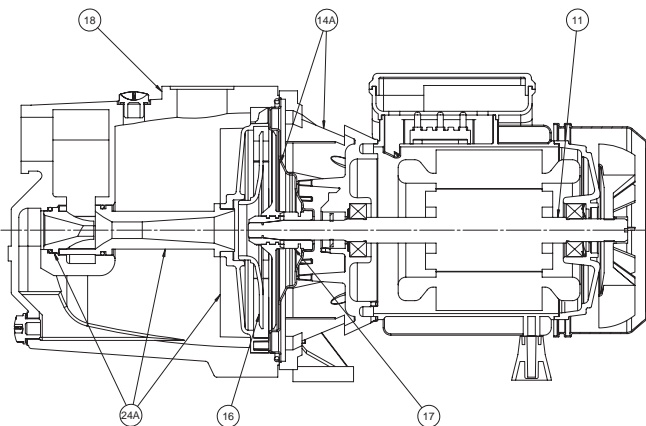
### TECHNICAL FEATURES

- Pump body: cast iron G20 with anti-corrosive coating
- Motor bracket: in die casting aluminium UNI 5076 (cast iron for JET 152-302)
- Diffuser, Nozzle & Venturi tube: Techno-polymer
- Impeller: Techno-polymer (stamped brass UNI-EN 12165 JET 152-302)
- Pump shaft: stainless steel Aisi 420F (Aisi 304 for JET 152-302)
- Mechanical seal: carbon-ceramics

### MOTOR

The control motors are asynchronous, squirrel cage-type, closed, with external ventilation

- Incorporated motor protection and capacitor always on, for single-phase models
- The motor protection for three-phase models must be installed by the customer. Equipment compliant with current standards should be used
- Class of insulation: F-service: S1-Degree of protection: IP 44
- Terminal board protection: IP 54



### SPARE PARTS LIST

- 11 Pump shaft + rotor
- 14A Motor bracket kit
- 16 Impeller
- 17 Mechanical seal
- 18 Pump body
- 24A Diffuser, Nozze & Venturi

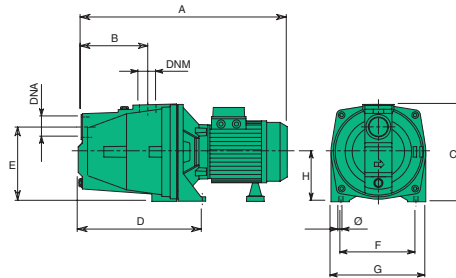
## 50 Hz - min<sup>-1</sup> ~ 2900

TYPE		Nominal power		Input power [W]		Capacitor 450 V max	Input current [A]			Capacity							
Single-phase	Three-phase	kW	HP	a	b	[μF]	1~230V	3~230V	3~400V	Q [m <sup>3</sup> /h]	0	0,6	1,2	1,8	2,4	3	3,6
a	b									Q [l/s]	0	10	20	30	40	50	60
<i>Total head (m W.C.)</i>																	
JET 61 M	-	0,44	0,6	600	-	12,5	2,6	-	-	H [m]	35,0	28,6	22,3	18,9	13,8	4,7	
JET 81 M	JET 81 T	0,59	0,8	660	610	14	3	2,2	1,4		37,2	30,6	24,6	20,6	16,0	6,6	
JET 82 M	-	0,59	0,8	820	-	14	3,7	-	-		45,0	38,0	31,0	26,0	20,0	10	
JET 101 M	JET 101 T	0,74	1	980	940	16	4,55	4,1	2,4		46,9	40,3	34,6	29,6	25,6	22,3	19,9
JET 102 M	JET 102 T	0,74	1	1040	1050	16	4,8	4	2,3		49,5	43,4	37,9	33,0	28,9	25,4	22,6
JET 122 M	JET 122 T	0,88	1,2	1130	1180	20	5,1	7,6	4,8	54,0	48,3	43,6	38,3	33,5	28,7	24,2	

TYPE		Nominal power		Input power [W]		Capacitor 450 V max	Input current [A]			Capacity							
Single-phase	Three-phase	kW	HP	a	b	[μF]	1~230V	3~230V	3~400V	Q [m <sup>3</sup> /h]	0	1,2	3	6	7,2	8,4	9,6
a	b									Q [l/s]	0	20	50	100	120	140	160
<i>Total head (m W.C.)</i>																	
JET 152 M	JET 152 T	1,1	1,5	1890	1820	31,5	9	6	3,5	H [m]	45,0	42,0	36,0	27,0	21,0	18	
JET 202 M	JET 202 T	1,5	2	2380	2190	40	11	7,3	4,2		54,0	49,5	43,0	33,0	29,5	27	23
JET 302 M	JET 302 T	2,2	3,0	2670	2660	50	12,0	8,7	5		60,0	55,0	48,0	38,0	34,0	29,5	27,0

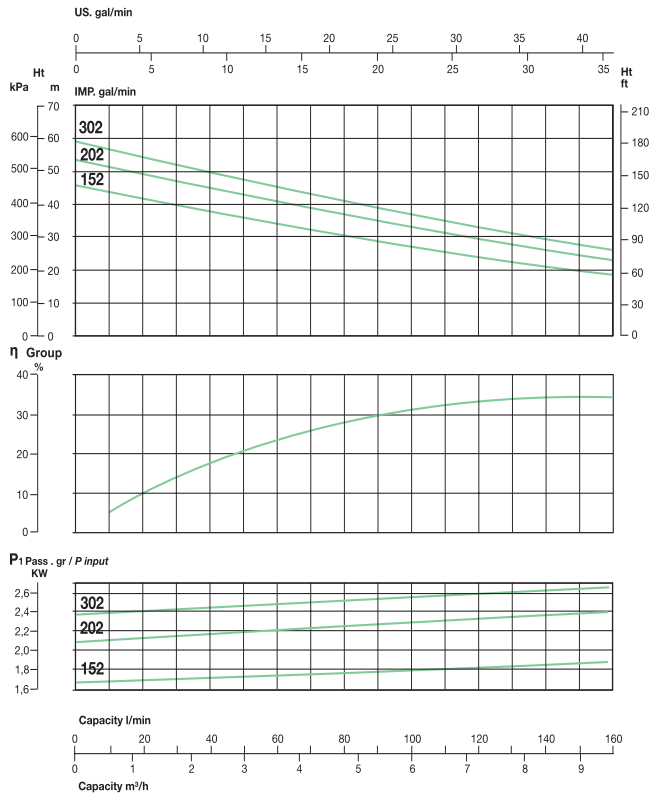
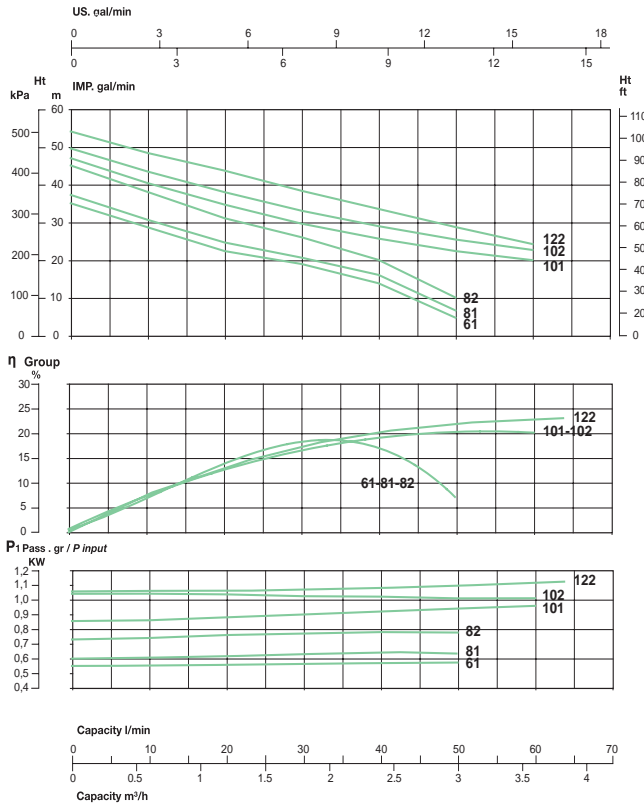
a) ~ Single-phase 230 V

b) ~ Three-phase 230/400 V



TYPE	DIMENSIONS [mm]											PACKING [mm]			WEIGHT [kg]
	A	B	C	D	E	F	G	Ø	H	DNA	DNM	A	L	P	
JET 61	380	110	195	195	155	140	180	9	95	1"	1"	260	190	440	11,1
JET 81	380	110	195	195	155	140	180	9	95	1"	1"	260	190	440	11,2
JET 82	420	122	210	225	160	140	180	9	95	1"	1"	260	190	440	13
JET 101	410	110	210	195	155	140	180	9	95	1"	1"	260	190	440	14,7
JET 102	420	122	210	225	160	140	180	9	95	1"	1"	260	190	440	15
JET 122	420	122	210	225	160	140	180	9	95	1"	1"	260	190	440	16,0
JET 152	520	160	235	285	180	180	230	11	120	1" 1/2 G	1" 1/4 G	280	260	640	29,5
JET 202	520	160	235	285	180	180	230	11	120	1" 1/2 G	1" 1/4 G	280	260	640	31,5
JET 302 M	567	160	235	285	180	180	230	11	120	1" 1/2 G	1" 1/4 G	280	260	640	35,5
JET 302	567	160	235	285	180	180	230	11	120	1" 1/2 G	1" 1/4 G	280	260	640	31,5

min<sup>-1</sup> ~ 2900



Sealand Electric Pumps South Africa

44 Agaat Str, Nirvana Industrial, Polokwane, Limpopo Province, South Africa, 0699



+27 87 150 2772



+27 86 647 3047



info@sealand.co.za



www.sealand.co.za