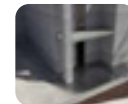
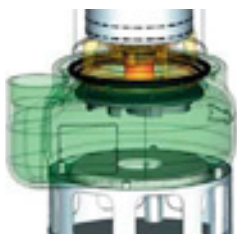


"DVX"



SUBMERSIBLE DRAINING ELECTRIC PUMPS

The submersible draining electric pump with vortex impeller series DVX have been designed for pumping dirty liquids, non-explosive or chemically aggressive for the pump's materials, either containing suspended solids max Ø 50 mm. 35 °C (CEI EN 60335-2-41).

TECHNICAL FEATURES

- Motor body and cover with handle: stainless steel Aisi 304
- Pump body: cast iron G20 with anti-corrosive coating
- Impeller: cast iron G20 with anti-corrosive coating
- Pump shaft: stainless steel Aisi 304
- Pump's side mechanical seal: silicon carbide- alumina
- Motor's side seal: graphite-alumina
- Quick cable coupling watertight connector
- Feeding cable: 10 m H07RN-F

MOTOR

- Two poles induction rewindable motor with protection IP 68, class F insulation.
- Single-phase feeding with incorporated motor protector and capacitor permanently connected.
- Three-phase feeding with compulsory protection to be provided by the user.
- Continuous duty

ON REQUEST:

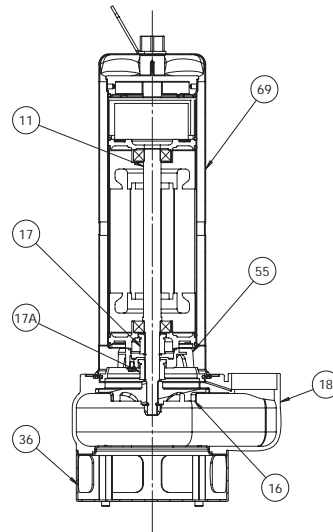
- Single-phase automatic version with float switch (AUT).
- Brass hose connector Ø 60 mm.



High performance

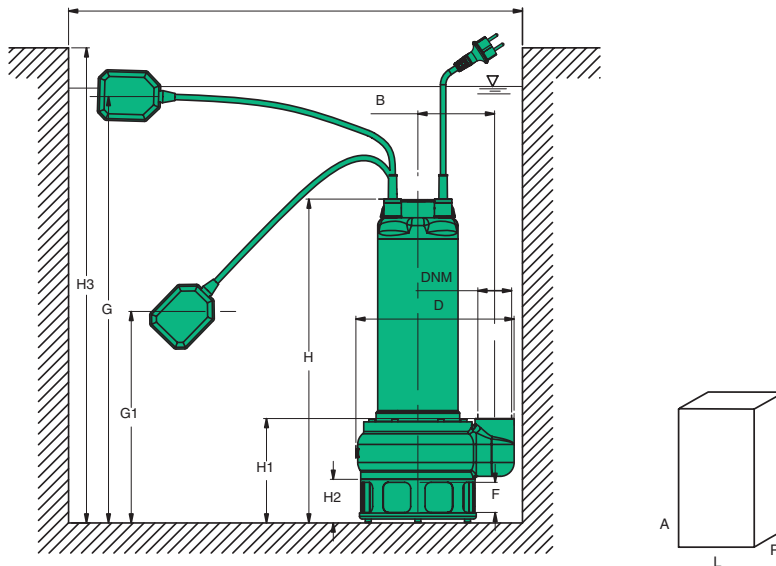
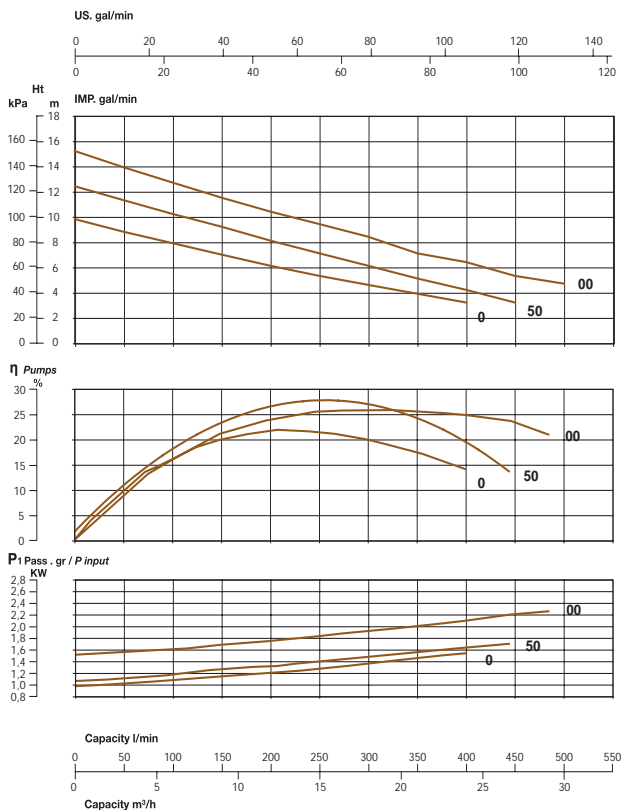
Anti air-lock system
Continuous duty partialy submerged
Quick cable coupling watertight connector

SPARE PARTS LIST



- 11 Pump shaft + rotor
- 16 Impeller
- 17 Mechanical seal
- 17A Mechanical seal
- 18 Pump body
- 36 Filter base
- 55 Seal support
- 69 Cover

min ~ 2900



TYPE	DIMENSIONS [mm]									PACKING [mm]			WEIGHT [kg]		
	H	H1	H2	B	D	F	G	G1	L	H3	DNM	A		L	P
DVX 120	545	167	67	160	270	50			600X600	650	2"	700	320	250	23.5
DVX 120 AUT	545	167	67	160	270	50	570	270	600X600	650	2"	700	320	250	23.8
DVX 150	545	167	67	160	270	50			600X600	650	2"	700	320	250	24
DVX 150 AUT	545	167	67	160	270	50	570	270	600X600	650	2"	700	320	250	24.4
DVX 200	600	167	67	160	270	50			600X600	650	2"	700	320	250	26.2
DVX 200 AUT	600	167	67	160	270	50	625	325	600X600	650	2"	700	320	250	26.4

50 Hz

TYPE		Nominal power	Input power [W]	Capacitor 450 V max	Input current [A]	Capacity																	
Single-phase	Three-phase					a	b	[μF]	1~230V	3~400V	Total head (m W.C.)												
		kW	HP	a	b																		
DVX 120	DVX 120	0.88	1.2	1550	1570	25	7.2	3.3															
DVX 150	DVX 150	1.1	1.5	1700	1680	30	7.8	3.5															
DVX 200	DVX 200	1.47	2	2430	2350	45	10.9	4.4															

a) ~ Single-phase 230 V

b) ~ Three-phase 400 V

Sealand Electric Pumps South Africa

44 Agaat Str, Nirvana Industrial, Polokwane, Limpopo Province, South Africa, 0699



+27 87 150 2772



+27 86 647 3047



info@sealand.co.za



www.sealand.co.za