

“DV30”



Sealand Electric Pumps South Africa

44 Agaat Str, Nirvana Industrial, Polokwane, Limpopo Province, South Africa, 0699



+27 87 150 2772



+27 86 647 3047



info@sealand.co.za



www.sealand.co.za

SUBMERSIBLE ELECTRIC WASTEWATER PUMPS 3"

The submersible electric wastewater pumps with non-clog vortex impeller of the series DV 30 have been designed to pump waste water, also with suspended solids with a max. Ø 67 mm, chemically not aggressive for the pumps' material.
Temperature not higher than 35 °C (CEI EN 60335-2-41).

TECHNICAL FEATURES

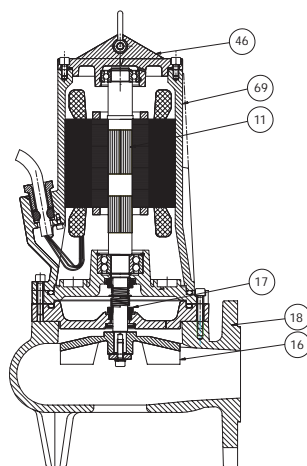
- Motor body: cast iron G20 with anti-corrosive coating
- Pump body: cast iron G20 with anti-corrosive coating
- Impeller: vortex impeller in cast iron G20 with anti-corrosive coating
- Pump shaft: stainless steel Aisi 303
- Mechanical seal pump side: silicon carbide-silicon carbide
- Motor side seal: silicon carbide-alumina
- Threaded counter flange: galvanized steel complete with EPDM gaskets
- Feeding cable: 10 m in Neoprene H07RN-F.

MOTOR

- Two or four poles induction rewindable motor with protection IP 68, class F insulation.
- Compulsory three-phase feeding protection with DOL starting is to be supplied by the user.
- Continuous duty within the range areas and if completely submerged.

ON REQUEST:

- Thermal protection built-in to the motor winding.
- Seal probe to detect water ingress into oil chamber.
- Electric power cable for star-delta starting.
- Coupling foot and rapid guide rails device.
- Explosion-proof execution as per Atex directive.



SPARE PARTS LIST

- 11 Pump shaft + rotor
- 16 Impeller
- 17 Mechanical seal
- 18 Pump body
- 57 Handle
- 69 Cover

50 Hz

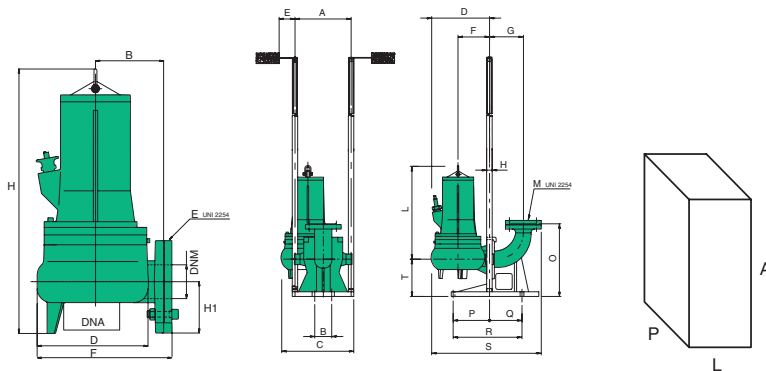
TYPE Three-phase	Nominal power		Input power [W] b	RPM	Input current [A] 3~ 400 V	Capacity																
	kW	HP				Total head (m W.C.)																
						Q [m ³ /h]	0	3	6	9	12	15	18	21	24	27	30	33	36	39	42	45
DV 25/250T4	1.85	2.5	2500	1450	4.5	H [m]	9.0	8.8	8.7	8.5	8.3	8.1	7.8	7.5	7.2	6.8	6.4	5.9	5.4	4.8	4.3	
DV 25/250T2	1.85	2.5	2600	2850	4.7		15.6	15.4	14.9	14.3	13.6	12.8	11.9	10.9	10.0	9.0	8.0	6.9	5.9	4.8	3.8	2.8
DV 25/300T2	2.2	3	3310	2850	6.1		18.0	17.6	17.0	16.4	15.6	14.9	14.0	13.0	12.2	11.3	10.3	9.3	8.3	7.2	6.0	5.0
DV 25/400T2	3	4	3190	2850	5.8		19.0	18.8	18.3	17.8	17.0	16.2	15.2	14.3	13.3	12.4	11.4	10.4	9.4	8.3		

b) ~ Three-phase 400 V

50 Hz

TYPE Three-phase	Nominal power		Input power [W] b	RPM	Input current [A] 3~ 400 V	Capacity												
	kW	HP				Total head (m W.C.)												
						Q [m ³ /h]	0	6	12	18	24	30	36	42	48	54	60	66
DV 30/300T4	2,2	3	4800	1450	5,6	H [m]	6,0	5,8	5,6	5,4	5,1	4,8	4,4	4,1	3,8	3,5	3,1	2,8
DV 30/300T2	2,2	3	4110	2850	5,3		12,0	10,7	9,5	8,3	7,0	6	5	4	3,2	2,5	1,8	1
DV 30/400T2	3	4	4950	2850	6,5		15,4	14,5	13,2	12,0	10,8	9,3	8	6,8	5,7	4,7	3,8	
DV 30/550T2	4	5,5	5800	2850	8,5		18,7	18,2	17,5	16,5	15,3	14	12,6	11	9,4	7,9	6,2	5
DV 30/750T2	5,5	7,5	7220	2850	12		25,0	24,1	23,4	22,6	21,9	21	20,2	19,4	18,5	17,5	16,5	15,3

b) ~ Three-phase 400 V

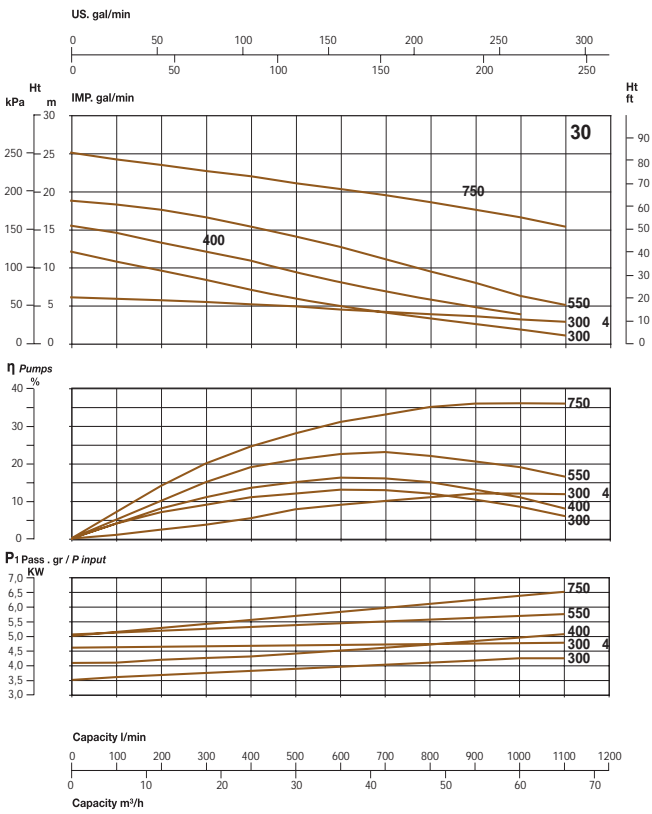
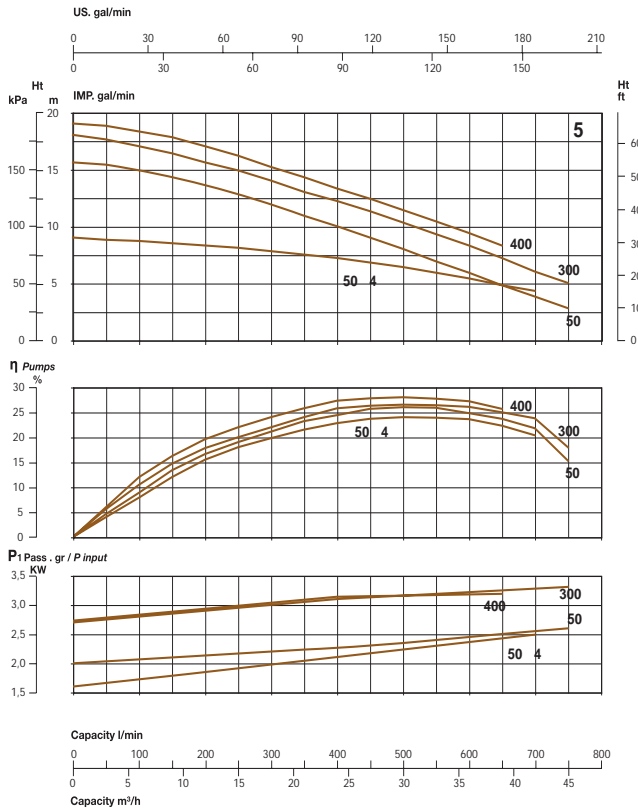


TYPE	DIMENSIONS [mm]									PACKING [mm]			WEIGHT [kg]
	B	D	E	F	H	H1	DNA	DNM	A	L	P		
DV 30/300T4	160	270	∅ 3"	295	620	125	80	80	670	320	350	70	
DV 30/300T2	160	270	∅ 3"	295	620	125	80	80	670	320	350	68	
DV 30/400T2	160	270	∅ 3"	295	620	125	80	80	670	320	350	70	
DV 30/550T2	160	270	∅ 3"	295	620	125	80	80	670	320	350	72	
DV 30/750T2	160	270	∅ 3"	295	620	125	80	80	670	320	350	76	

+ KIT	A	B	C	D	E	F	G	H	L	M	O	P	Q	R	S	T
	353	110	460	415	300	175	180	∅ 2"	480	∅ 3"	375	240	150	390	615	220



min⁻¹ ~ 2900



Sealand Electric Pumps South Africa

44 Agaat Str, Nirvana Industrial, Polokwane, Limpopo Province, South Africa, 0699



+27 87 150 2772



+27 86 647 3047



info@sealand.co.za



www.sealand.co.za